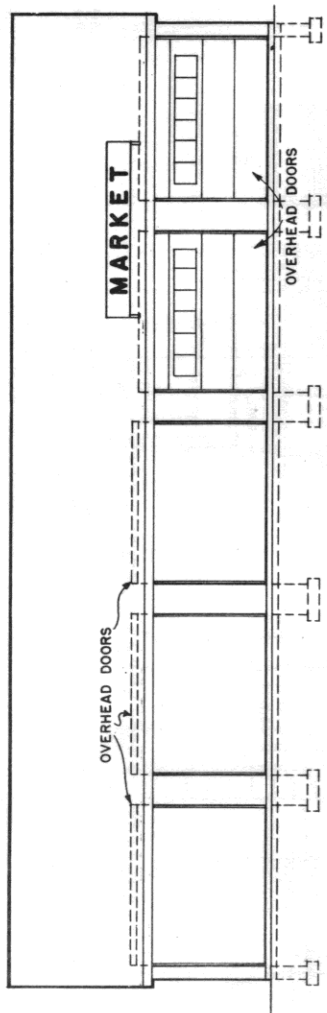
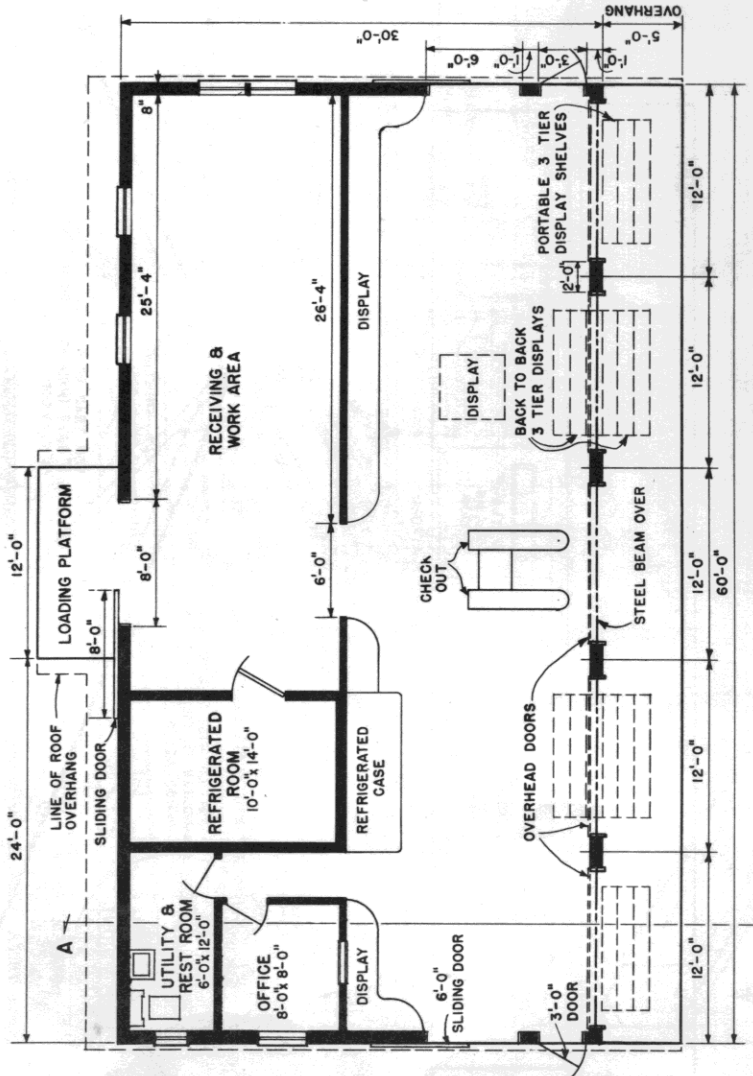


RIGHT SIDE ELEVATION
0 2 4 6 8 FT.

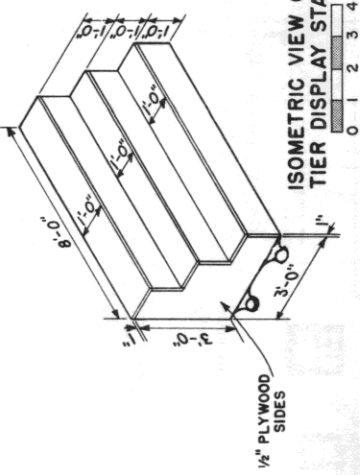


FRONT ELEVATION
0 2 4 6 8 FT.



PLAN
0 2 4 6 8 FT.

NOTE: DIMENSIONS SHOWN ARE NOMINAL,
1X12 LUMBER MAY BE USED.

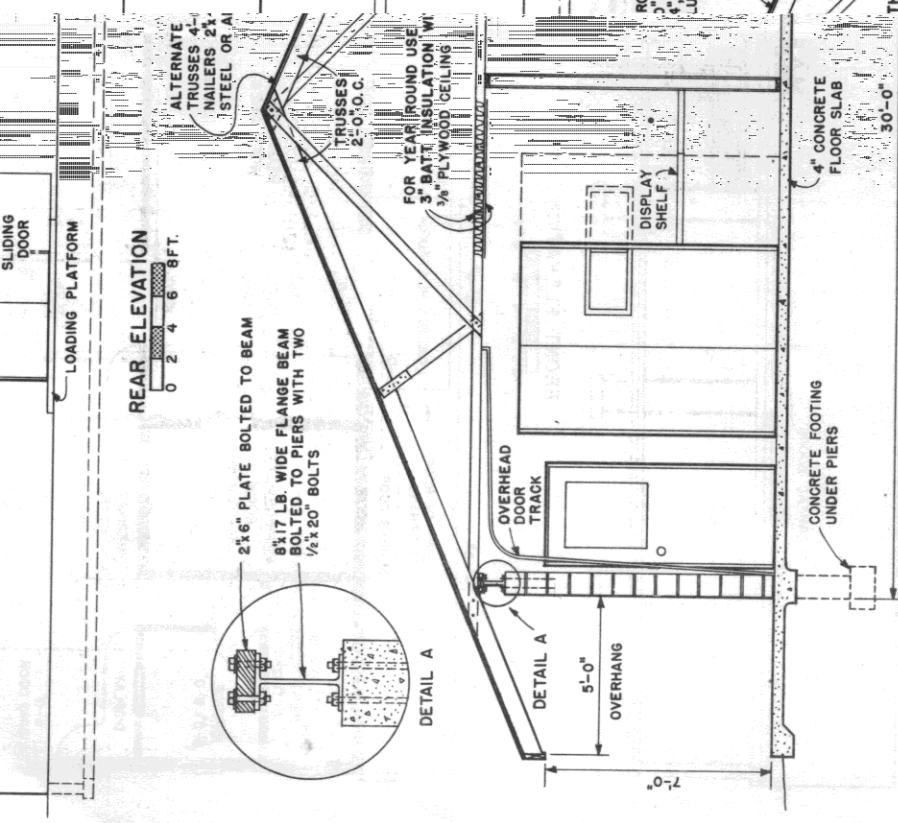


ISOMETRIC VIEW OF 3
TIER DISPLAY STANDS
0 1 2 3 4 FT.

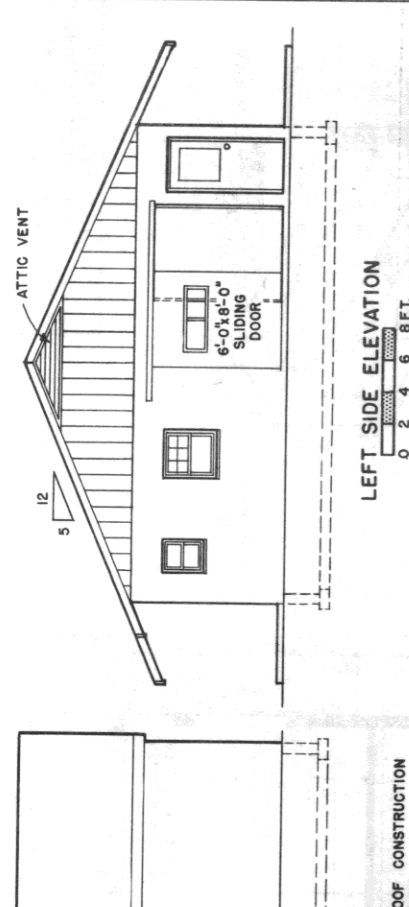
COOPERATIVE EXTENSION WORK IN
AGRICULTURE AND HOME ECONOMICS
DEPARTMENT OF AGRICULTURAL ENGINEERING
UNIVERSITY OF MARYLAND
AND
UNITED STATES DEPARTMENT OF AGRICULTURE COOPERATING

ROADSIDE MARKET

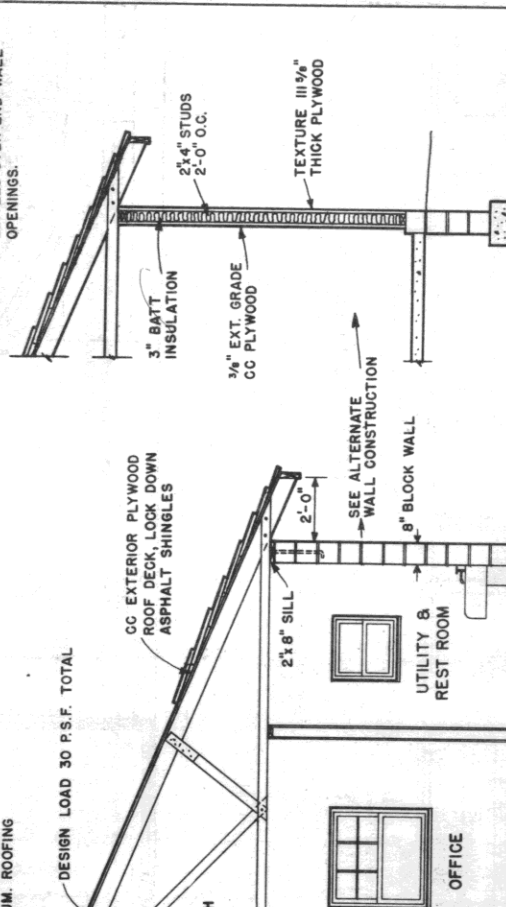
M. J. '67 EX. 6027 SHEET 1 OF 3



NOTE: PIERS ARE CAST CONCRETE OR PLASTER BLOCKS WITH CORES FILLED. REINFORCE WITH TWO 1/2" RODS WHICH EXTEND INTO FOOTING.



NOTE: REINFORCED CONCRETE LINTELS OVER END WALL OPENINGS.



DESIGN LOAD 30 P.S.F. TOTAL

ROOF CONSTRUCTION 3" O.C. 4" 2'-0" O.C. LUM. ROOFING

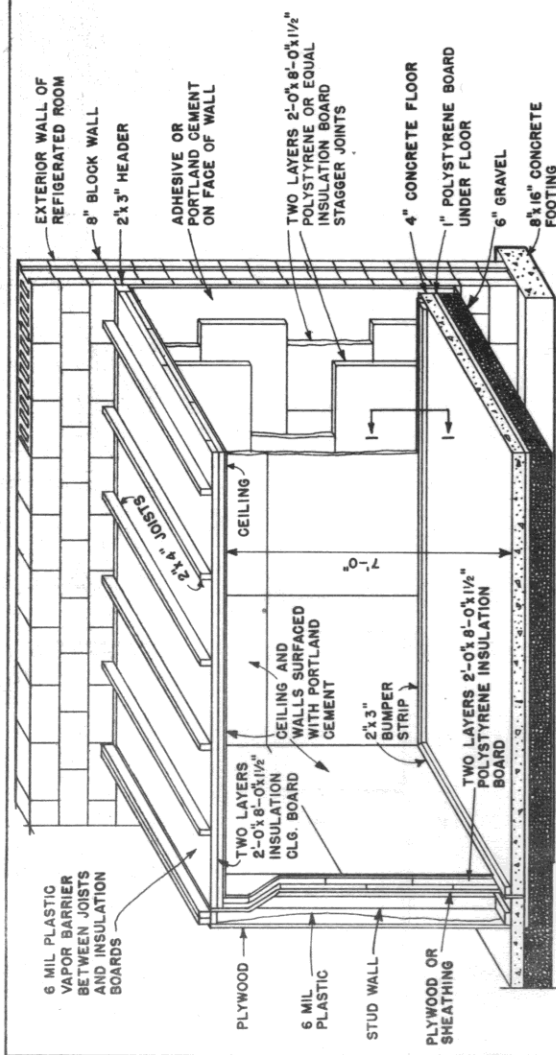
ALTERNATE STUD WALL CONSTRUCTION

0 1 2 3 4 FT.

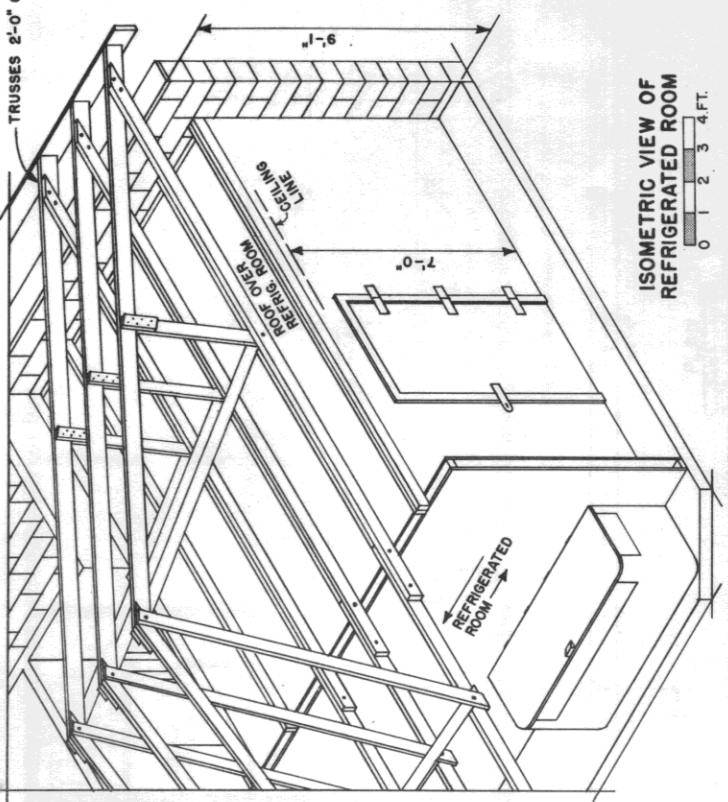
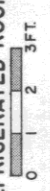
COOPERATIVE EXTENSION WORK IN AGRICULTURE AND HOME ECONOMICS DEPARTMENT OF AGRICULTURAL ENGINEERING UNIVERSITY OF MARYLAND AND UNITED STATES DEPARTMENT OF AGRICULTURE COOPERATING

ROADSIDE MARKET

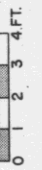
N.J. '67 EX. 6027 SHEET 2 OF 3



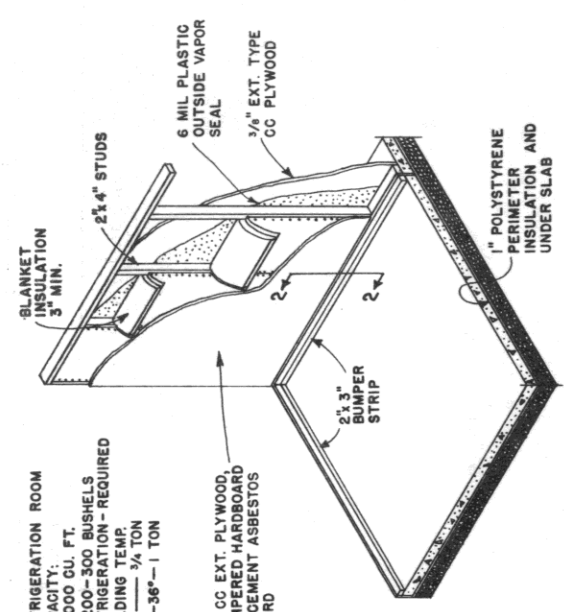
CUT AWAY VIEW THROUGH REFRIGERATED ROOM



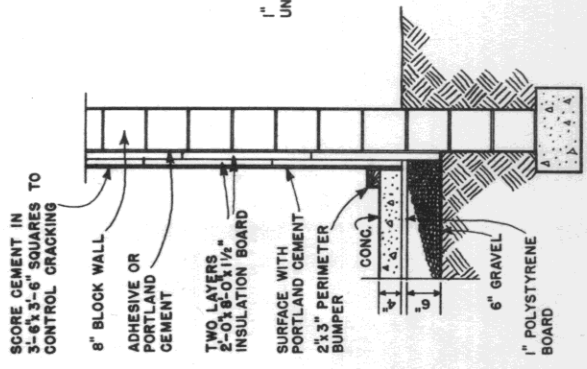
ISOMETRIC VIEW OF REFRIGERATED ROOM



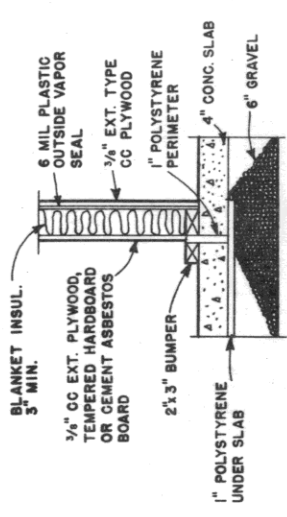
NOTE: REFRIGERATION ROOM CAPACITY: 1000 CU. FT. 200-300 BUSHELS REFRIGERATION - REQUIRED HOLDING TEMP. 55° - 3/4 TON 32°-36° - 1 TON



ALTERNATE VIEW THROUGH STUD WALL CONSTRUCTION



SECTION 1-1



SECTION 2-2

